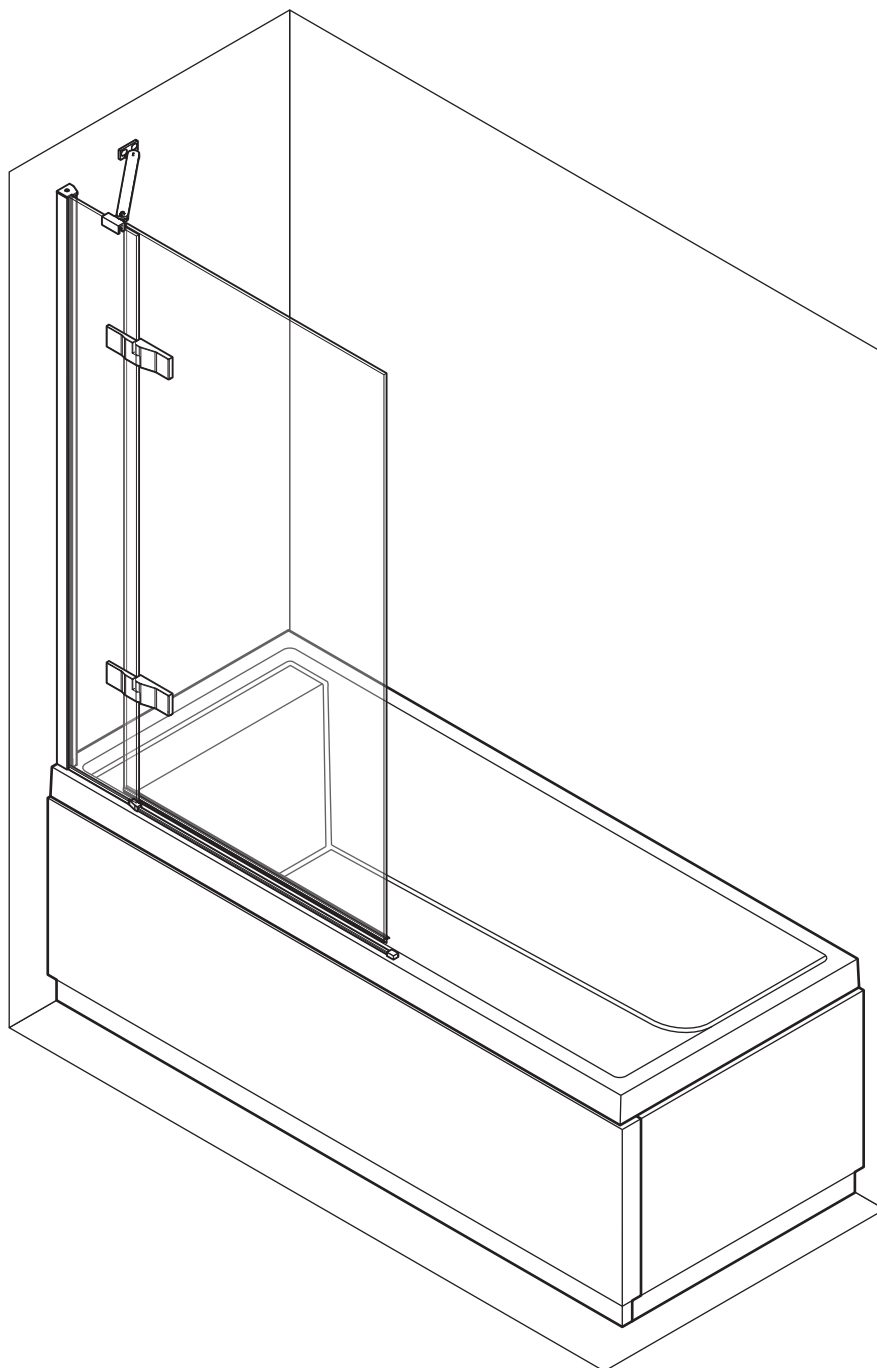
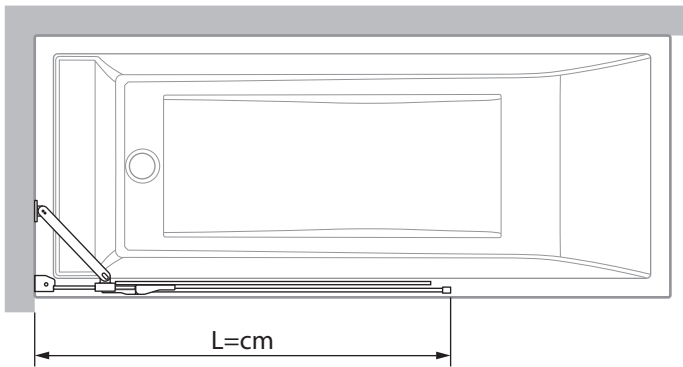
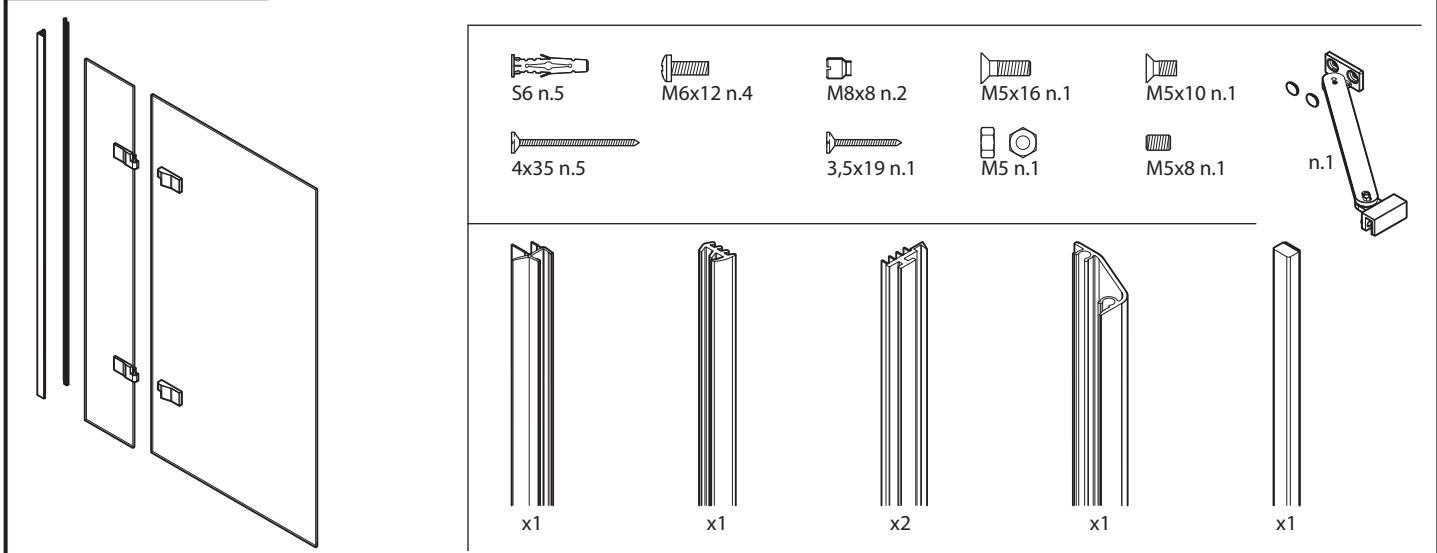
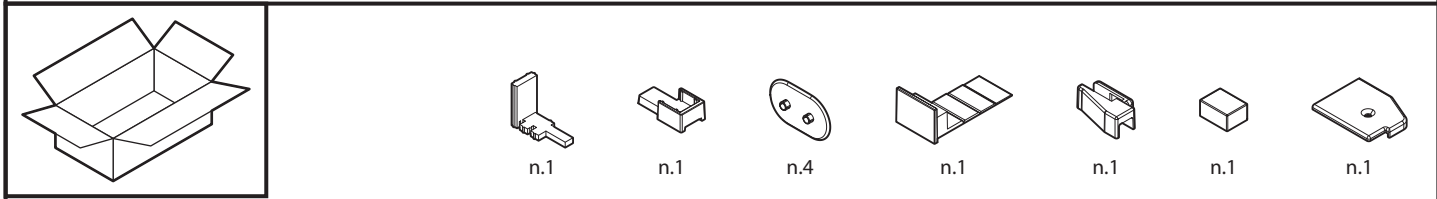
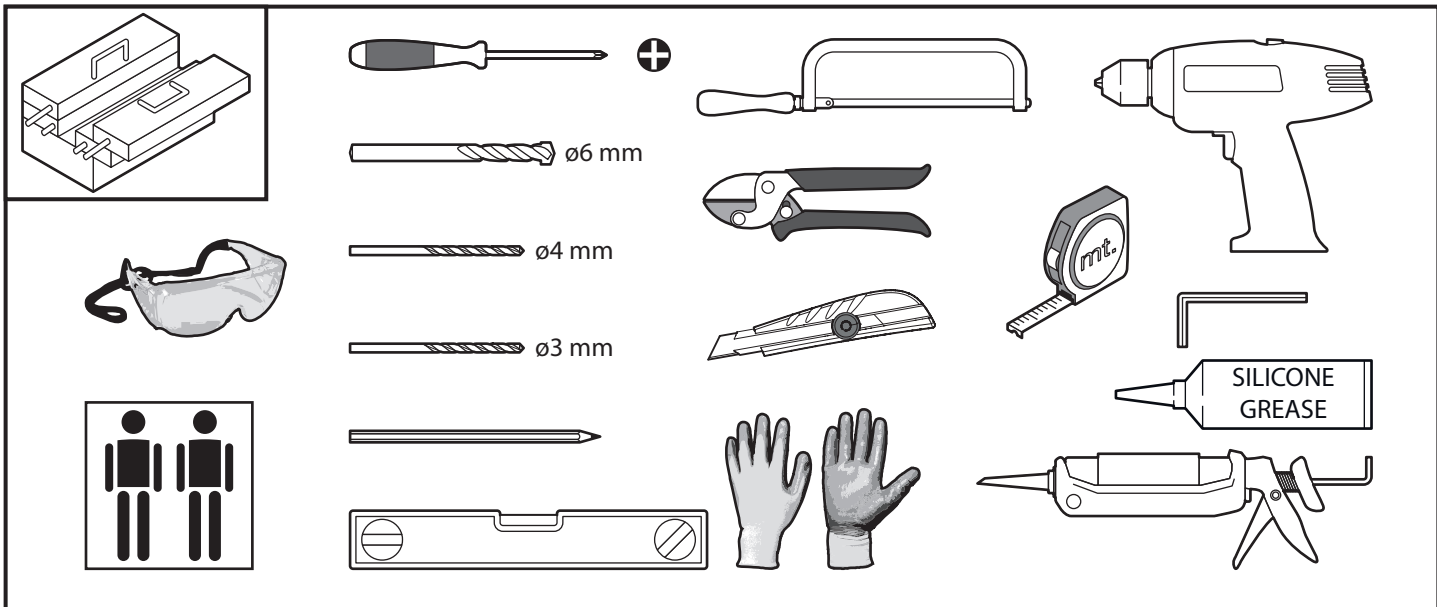


GALA1

 **NOVELLINI**

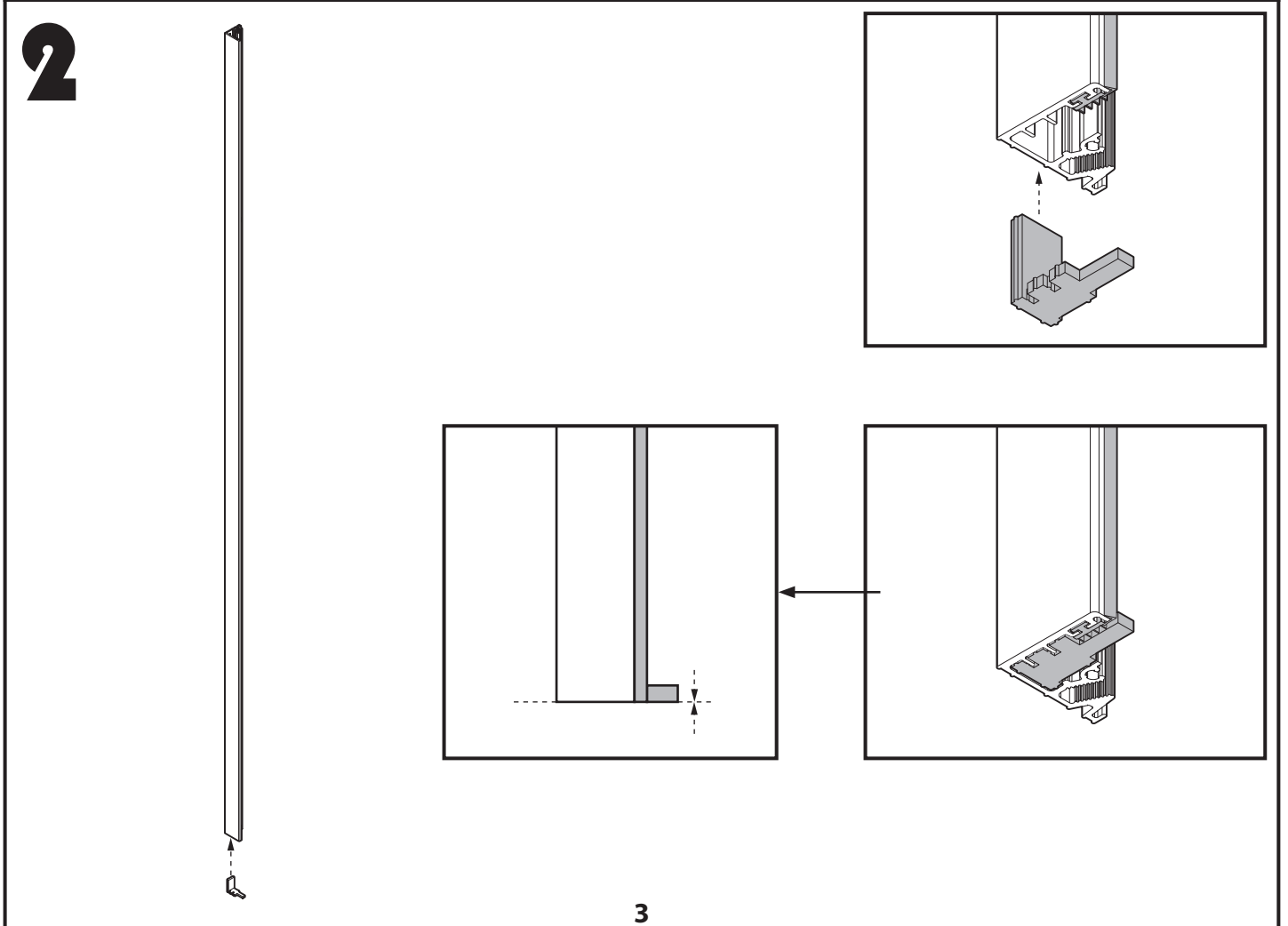
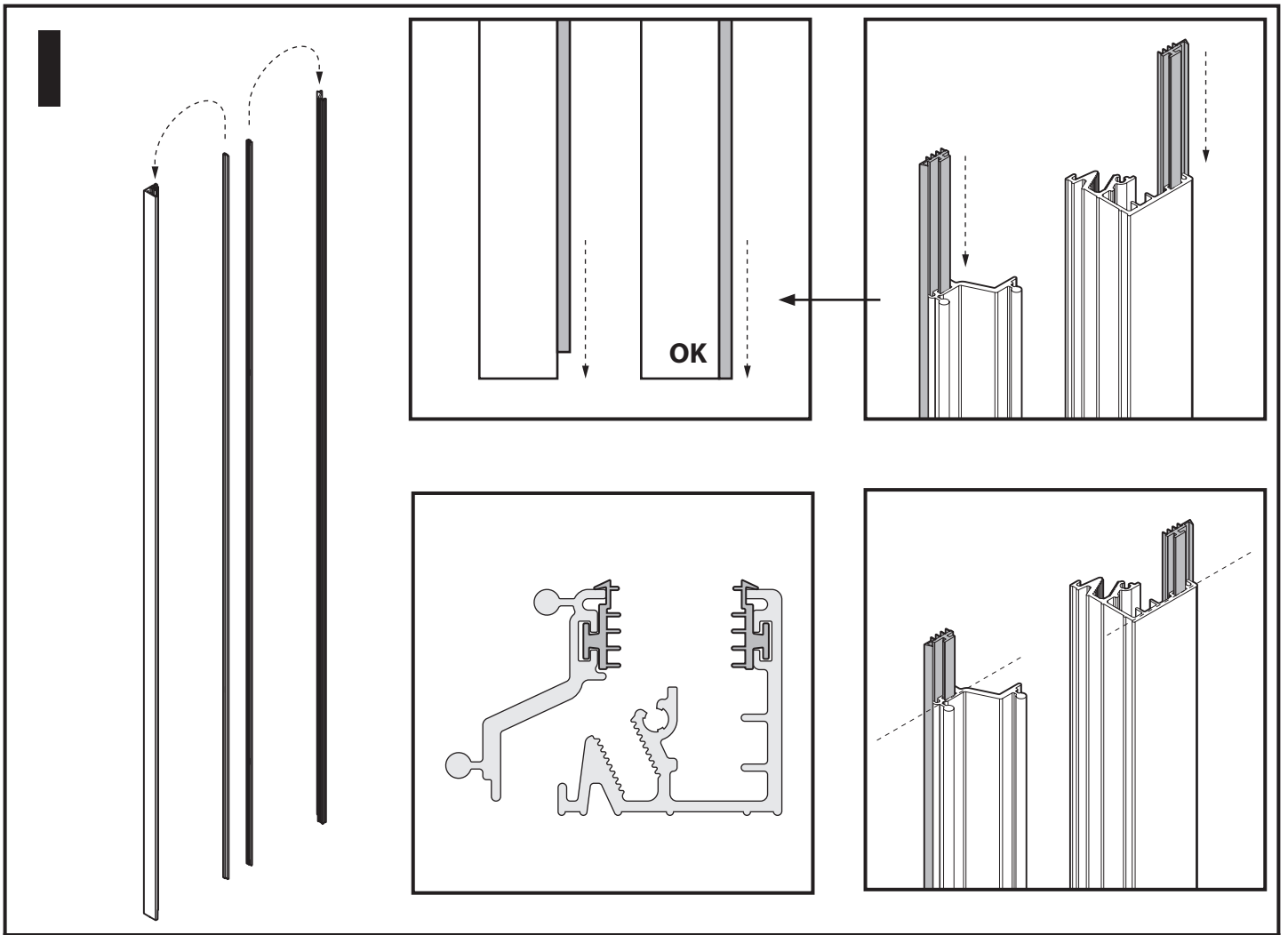
3V



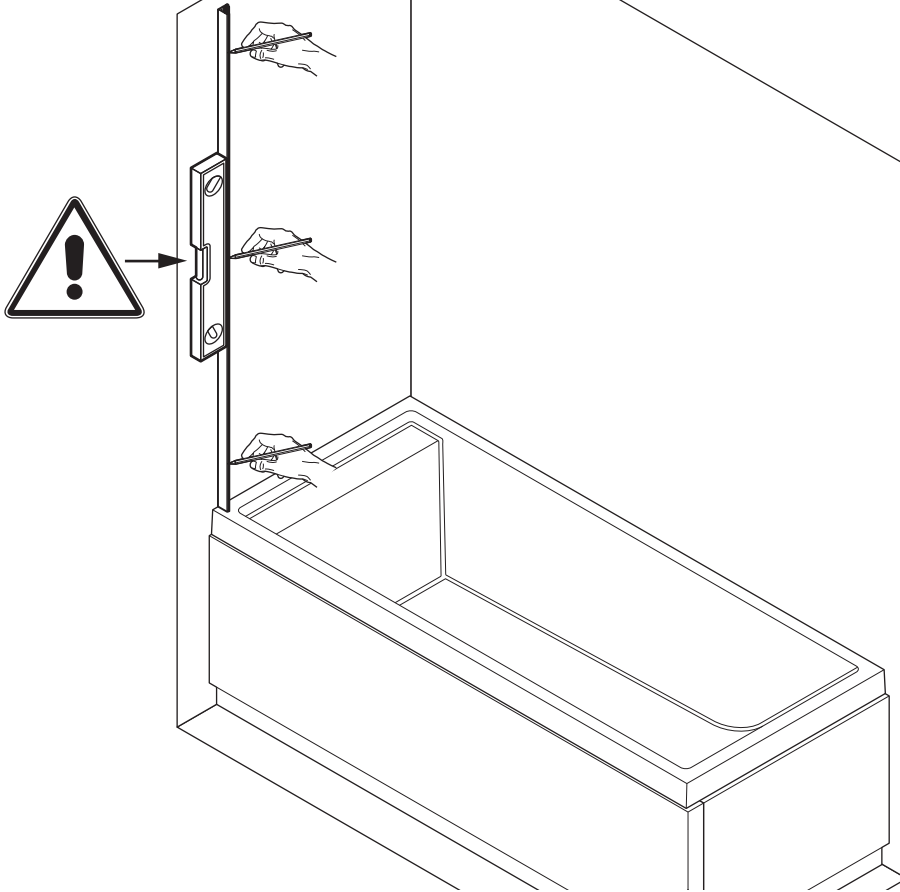


3V100 | L=100 cm

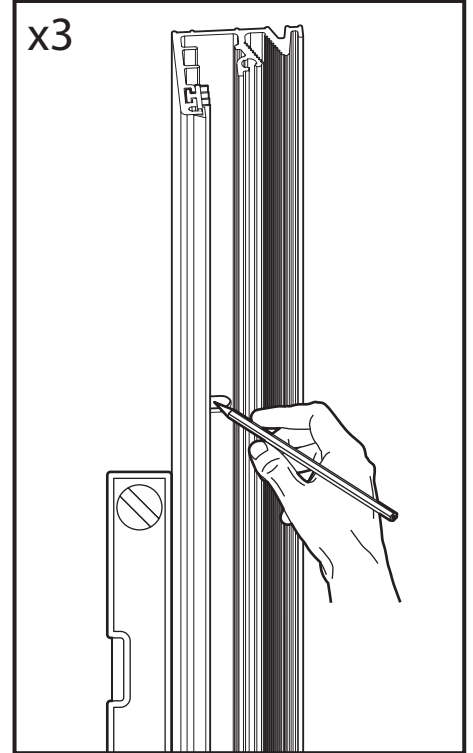




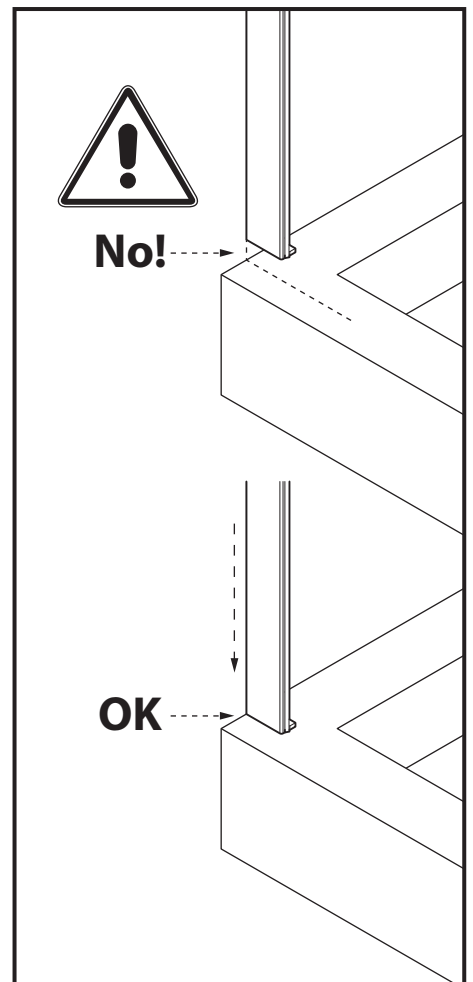
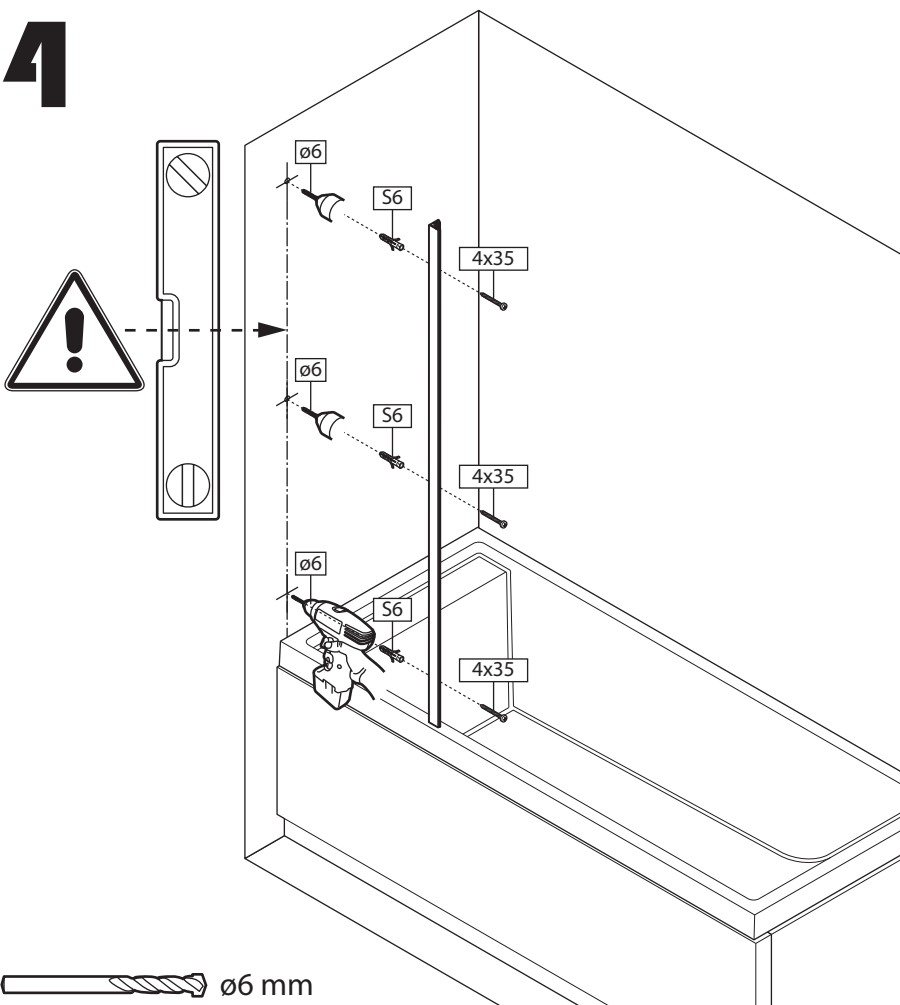
3



x3

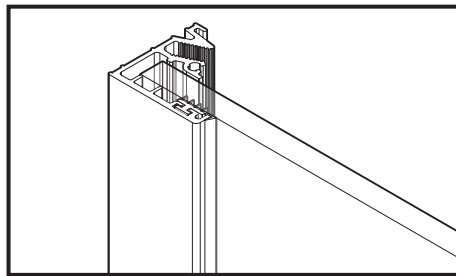
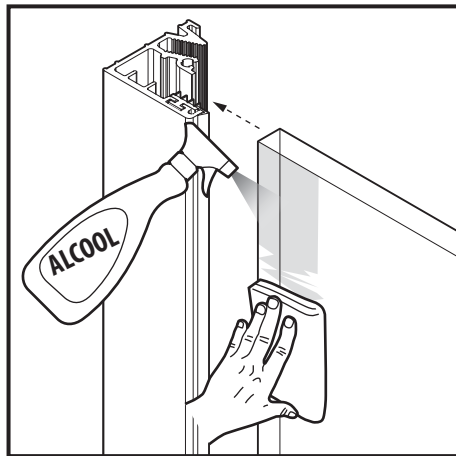
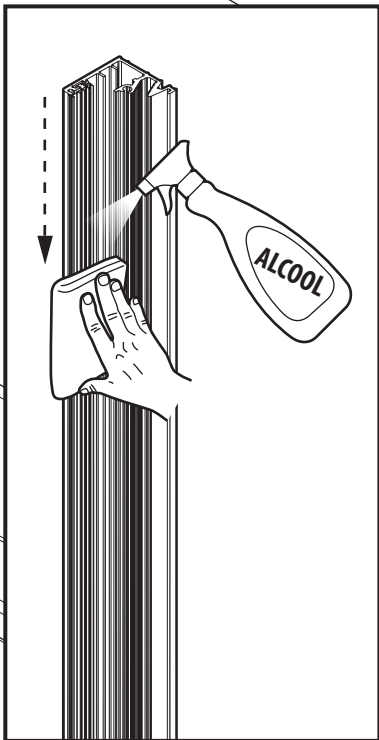
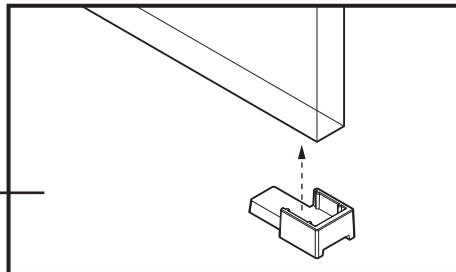
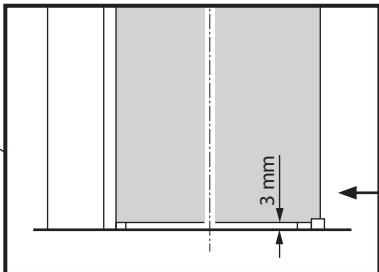
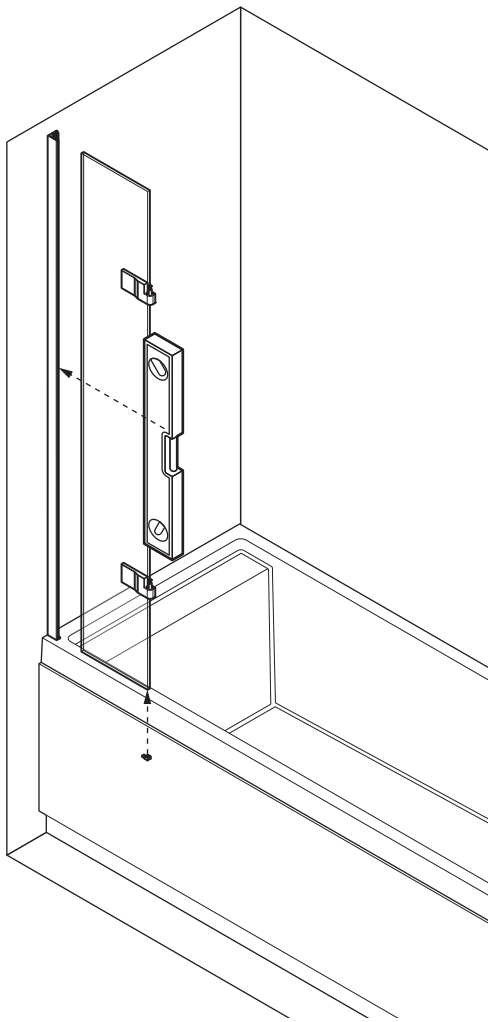


4

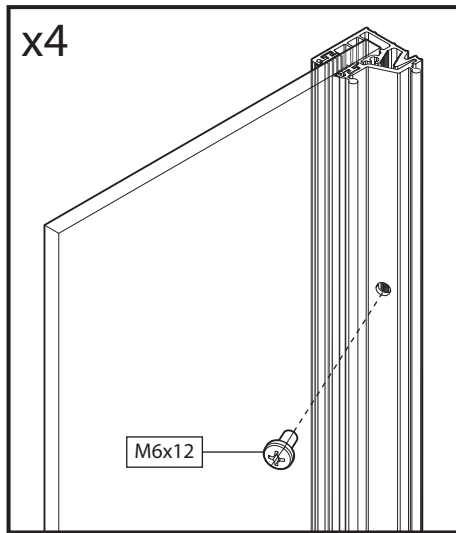
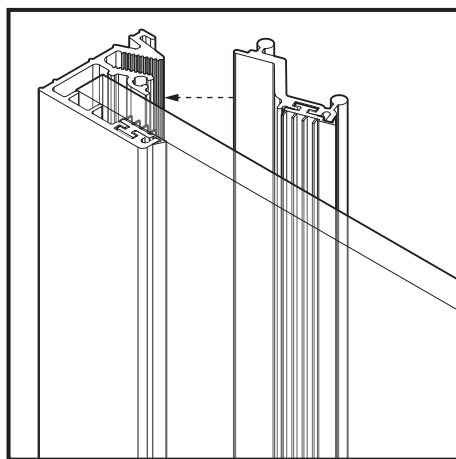
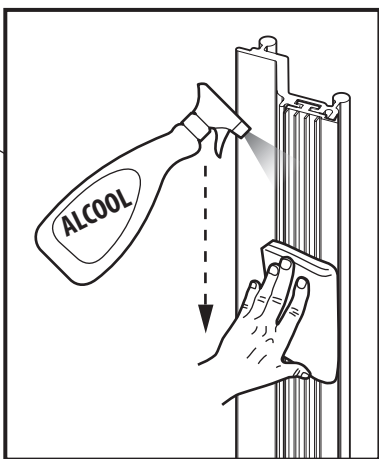
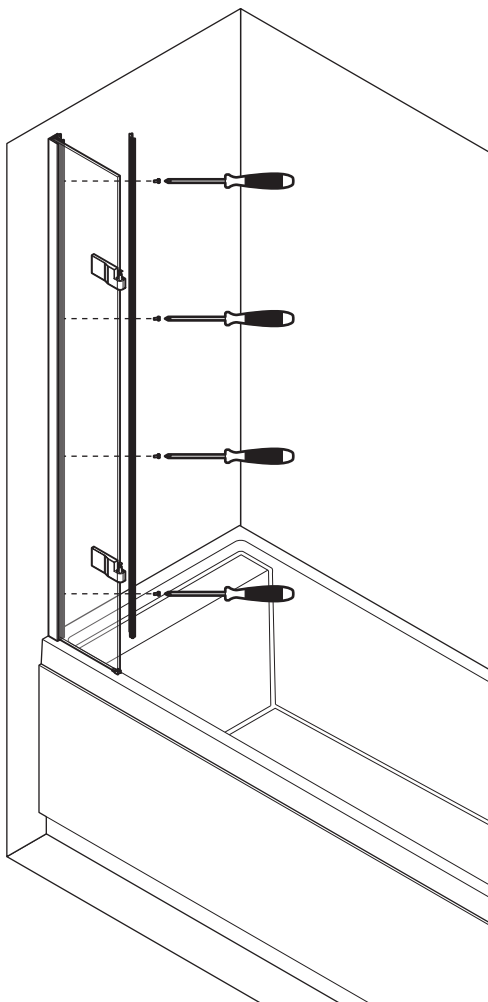


4

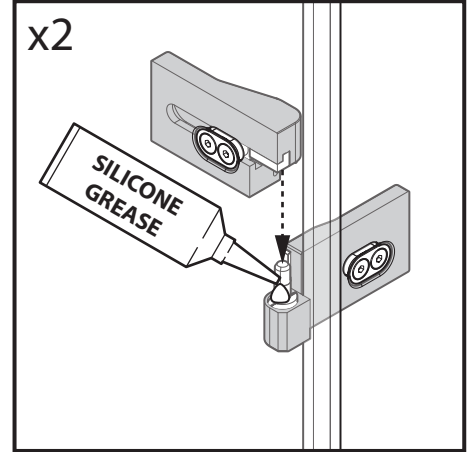
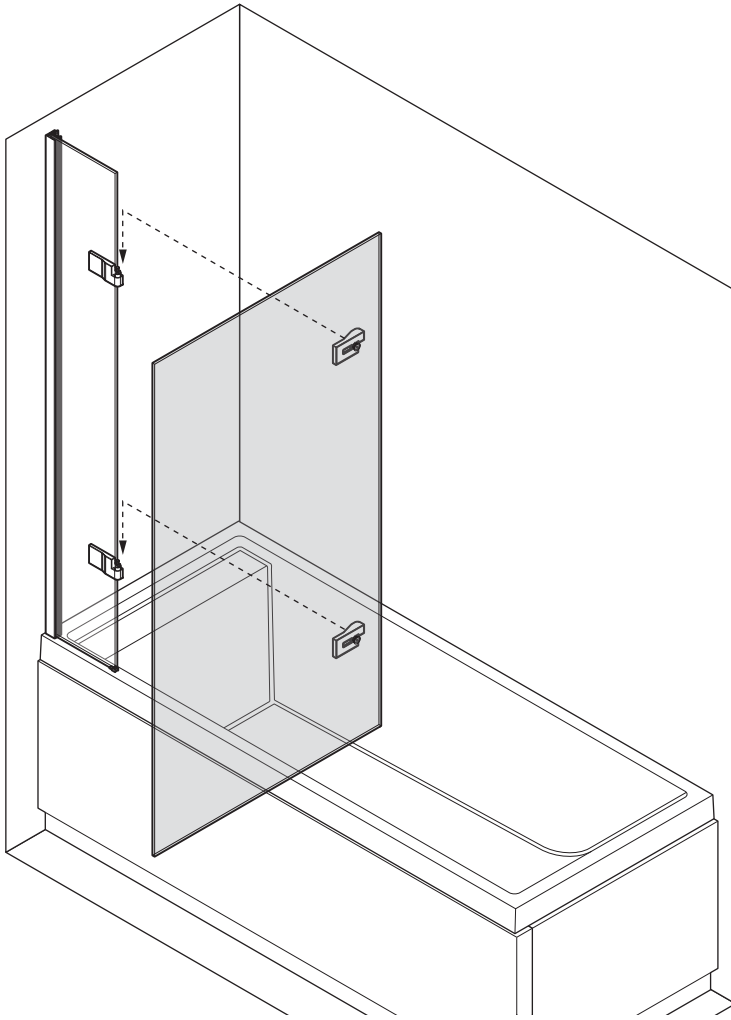
5



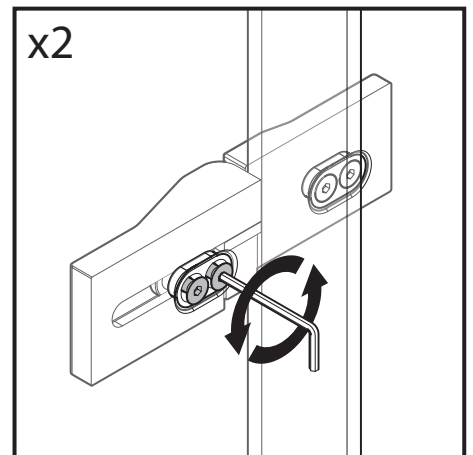
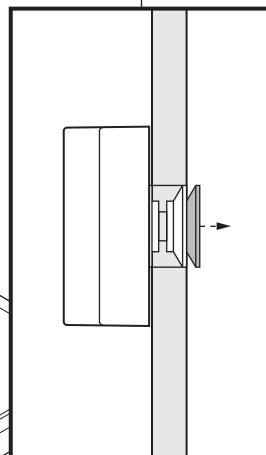
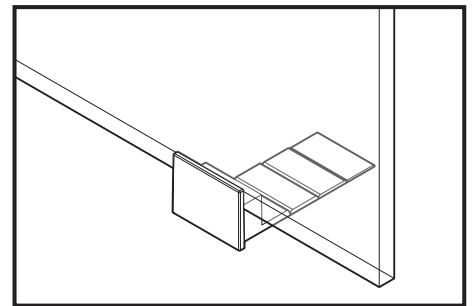
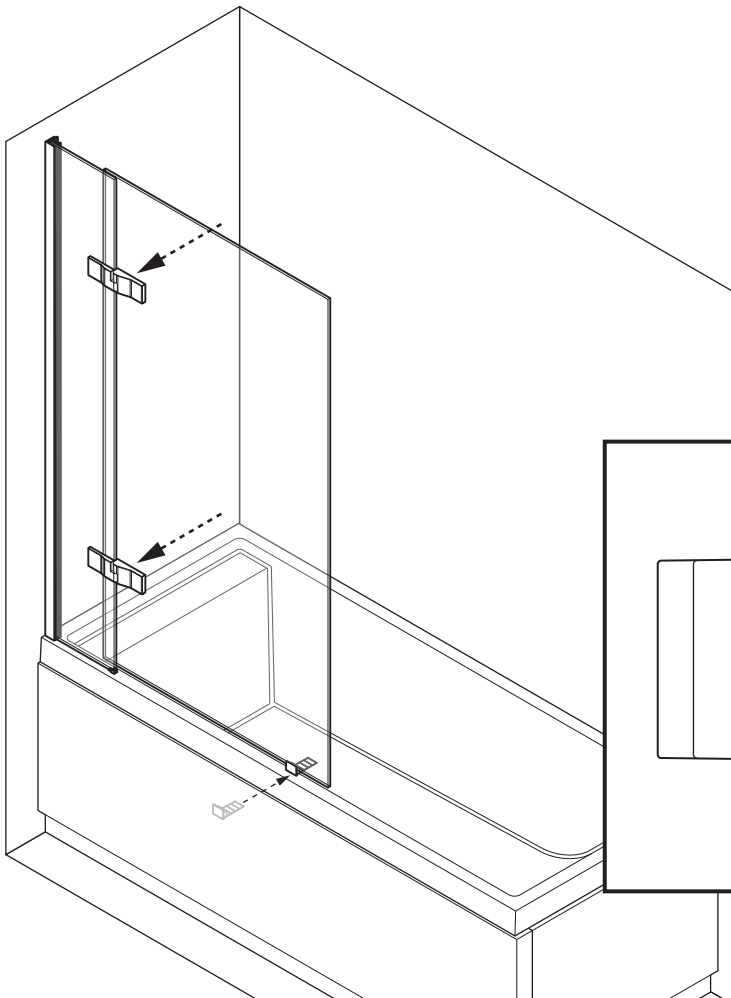
6



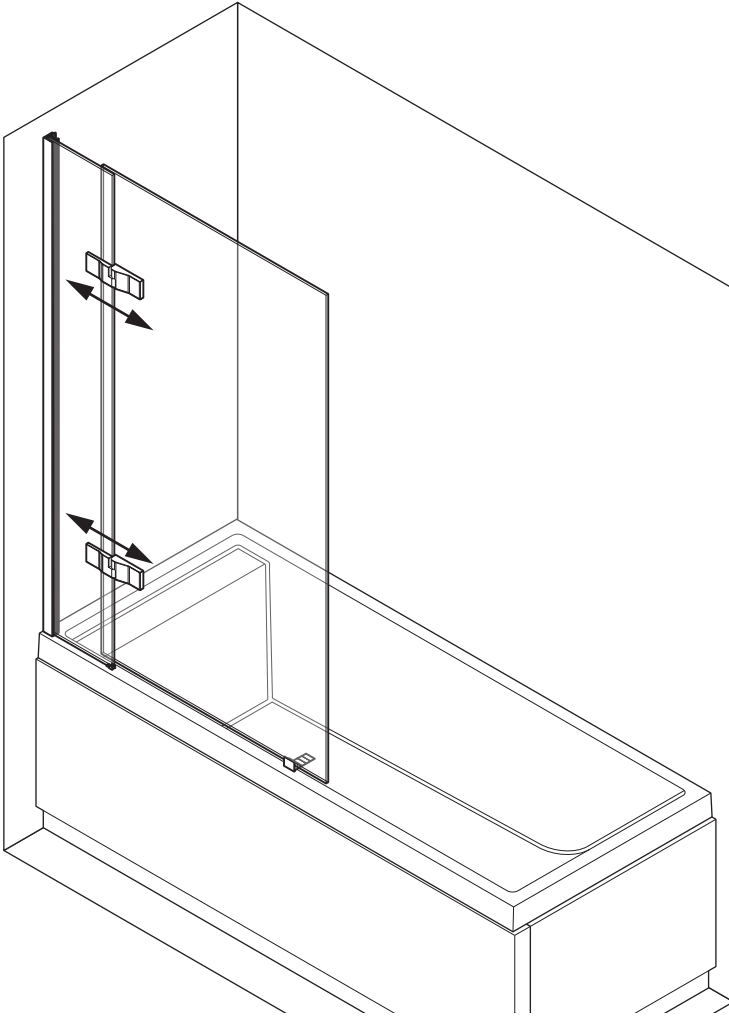
7



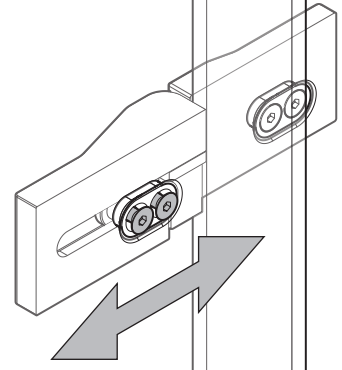
8



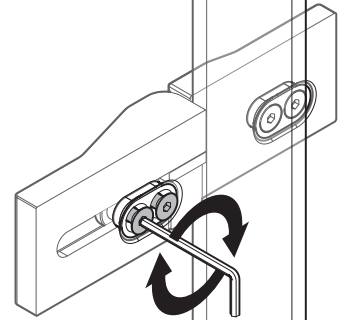
9



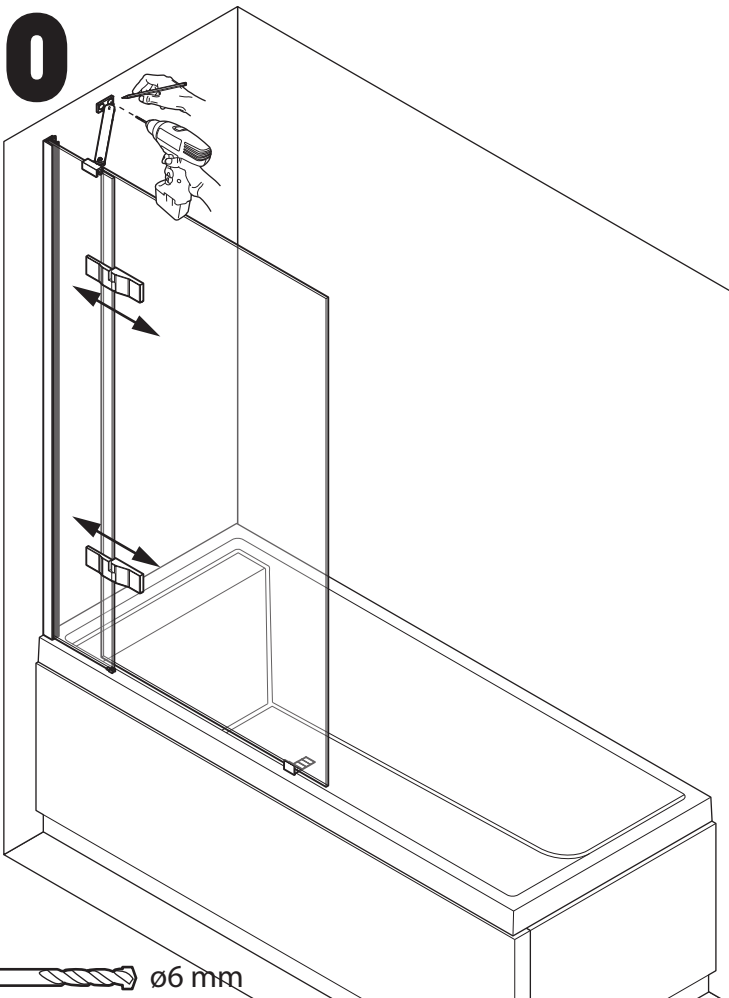
x2



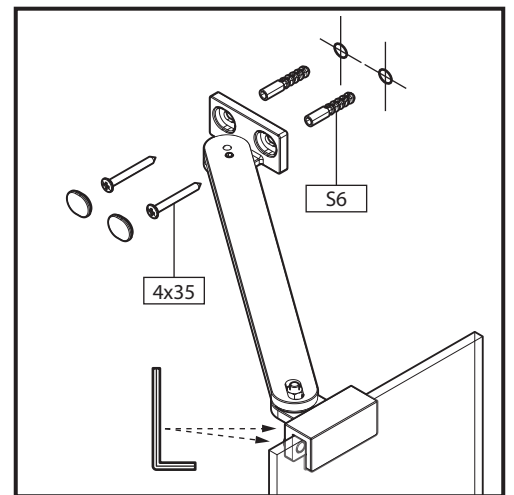
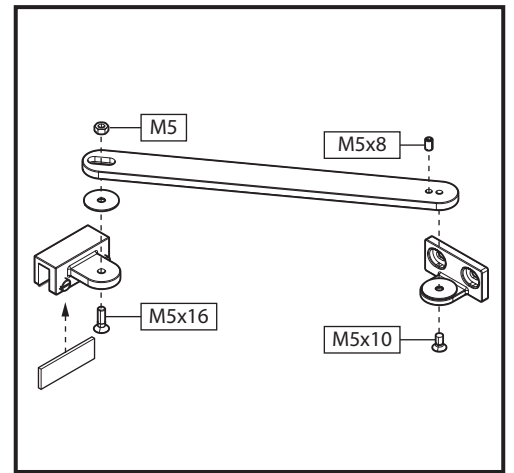
x2

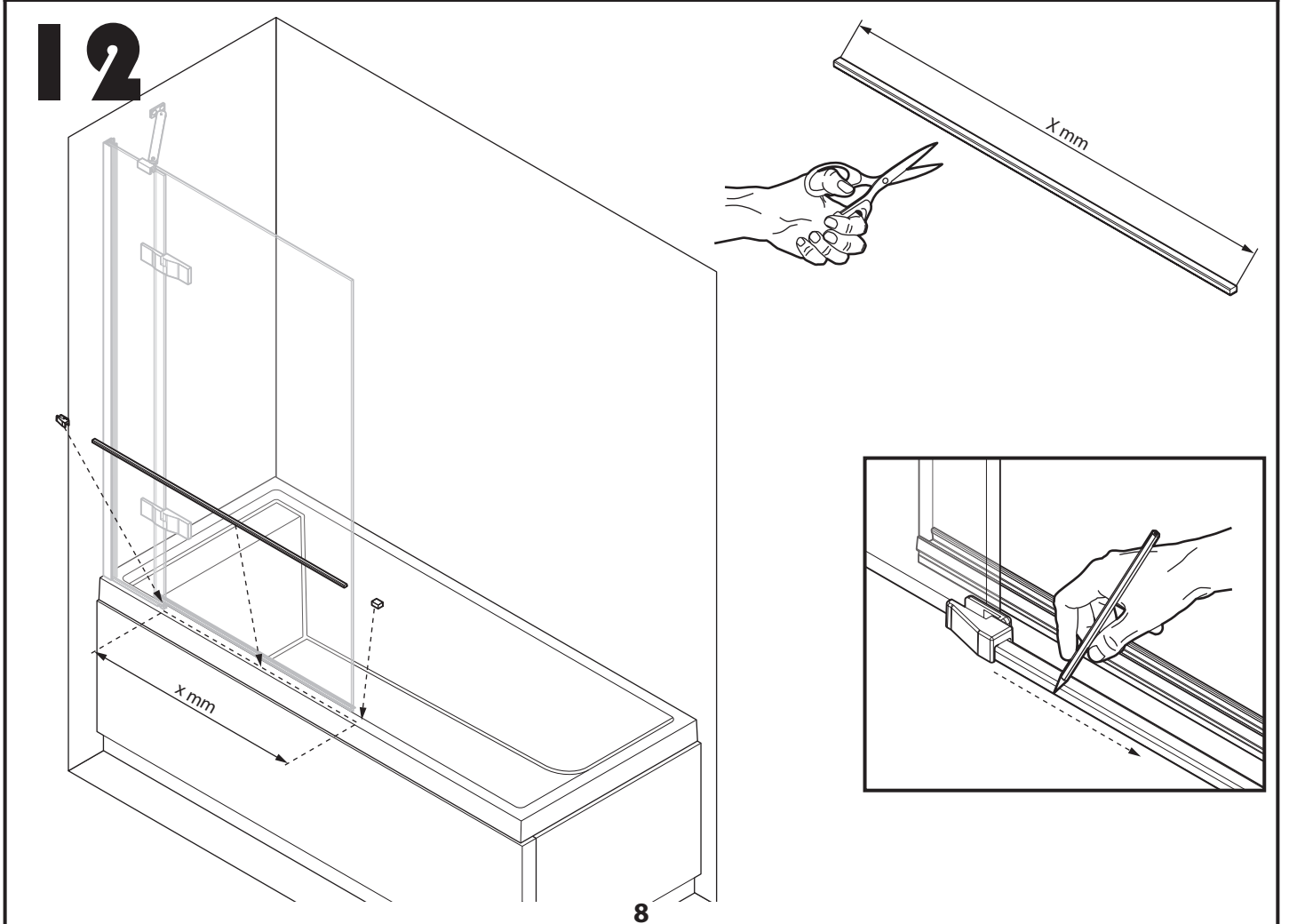
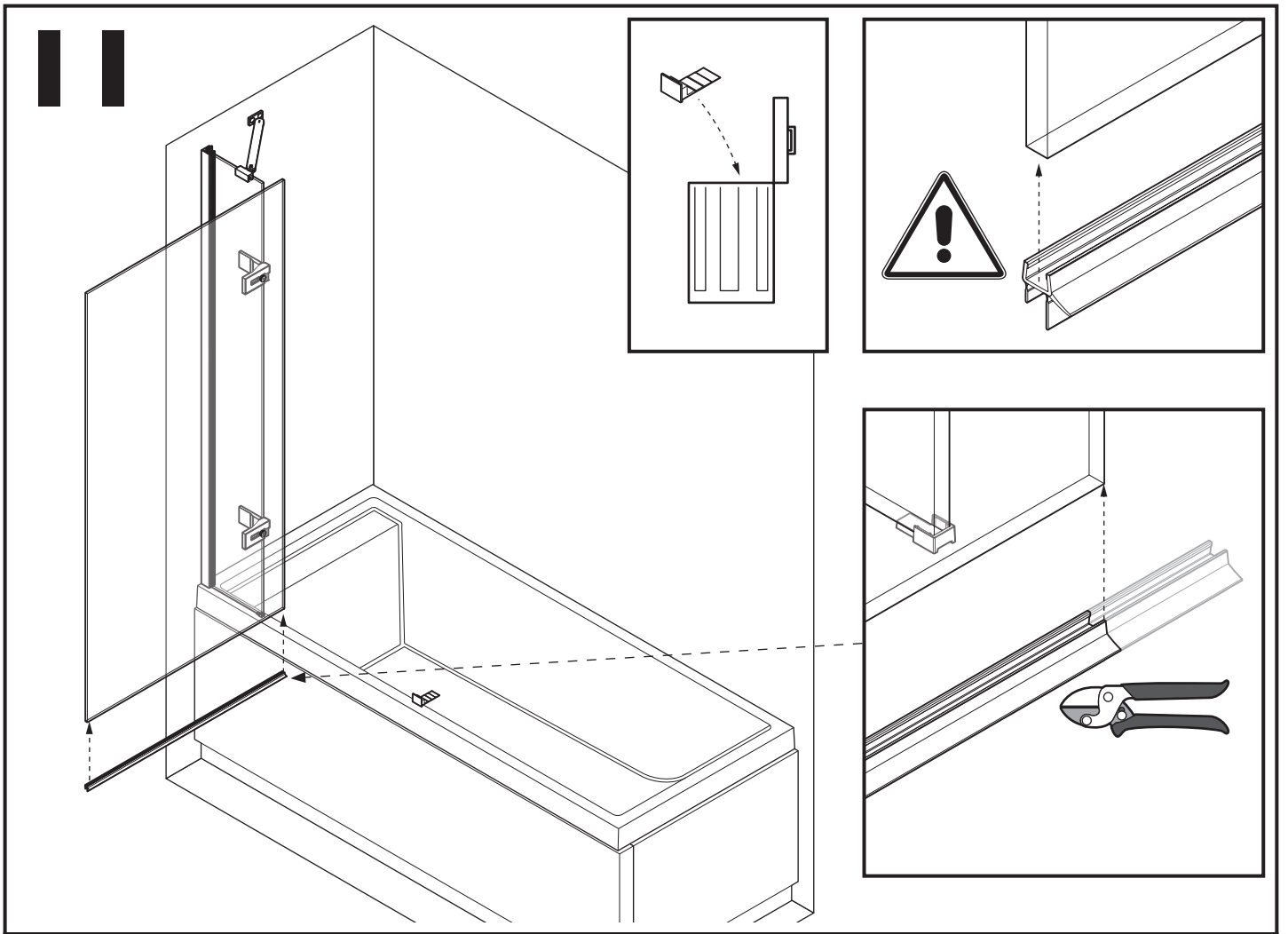


10

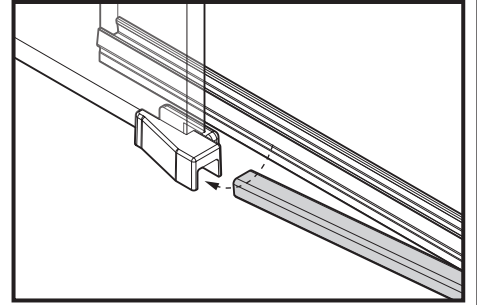
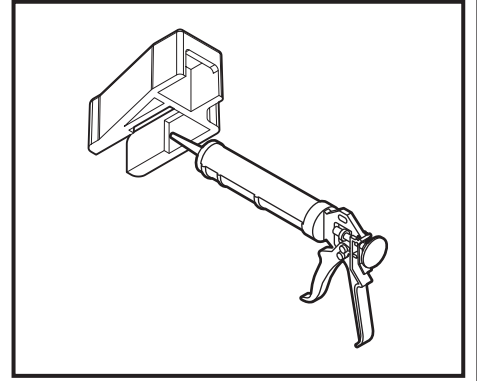
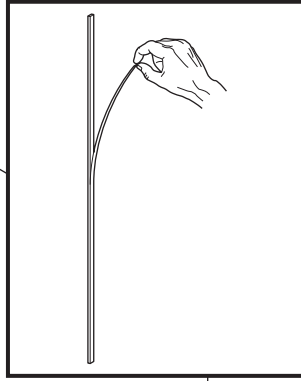
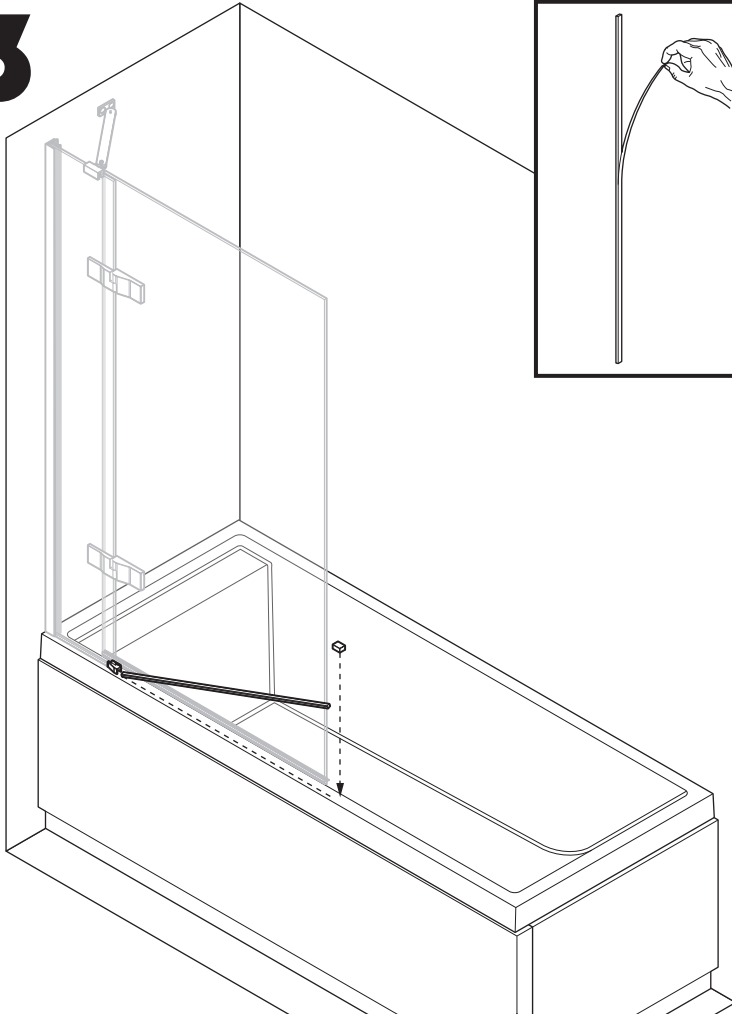


∅6 mm

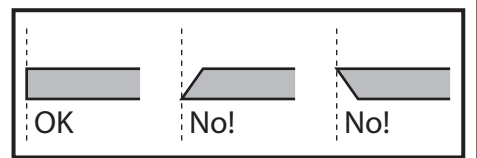
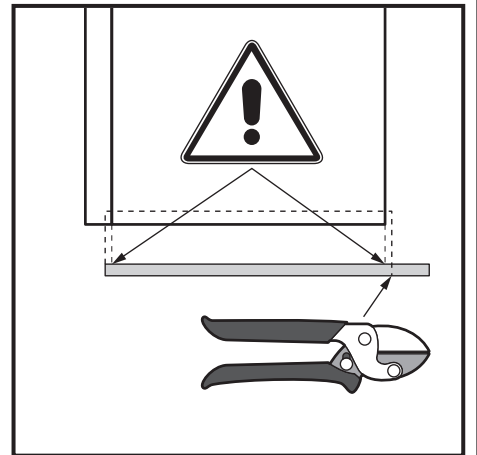
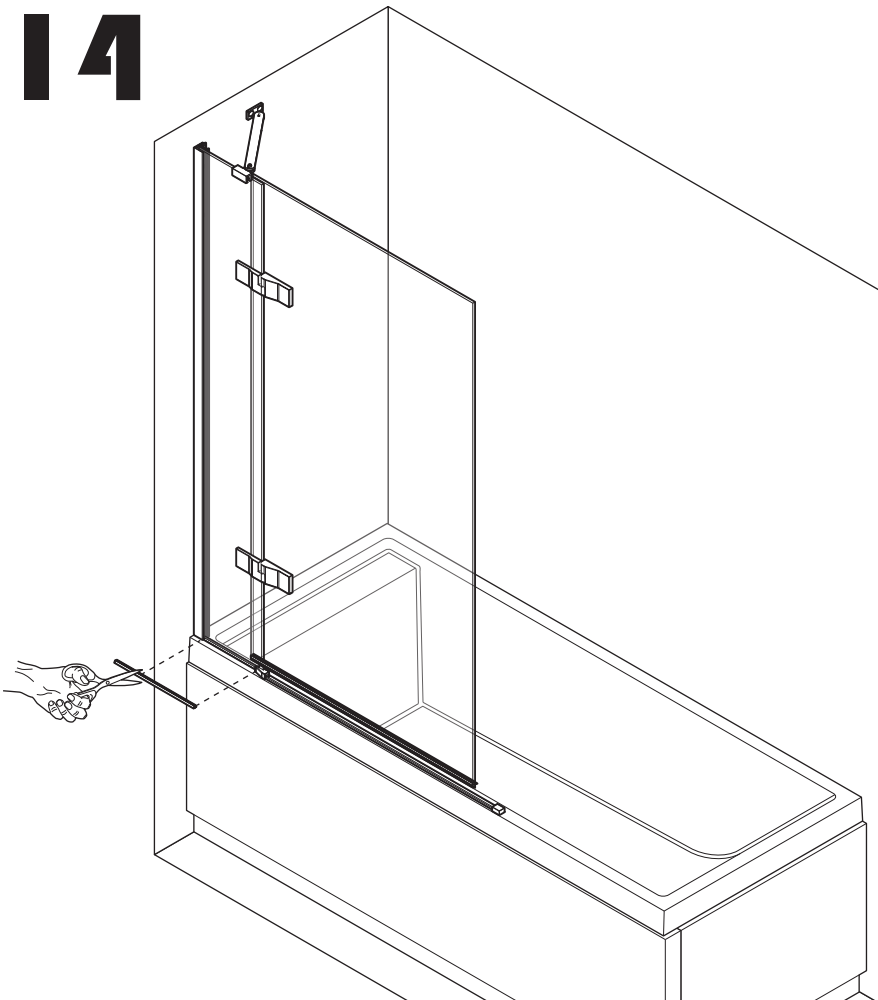




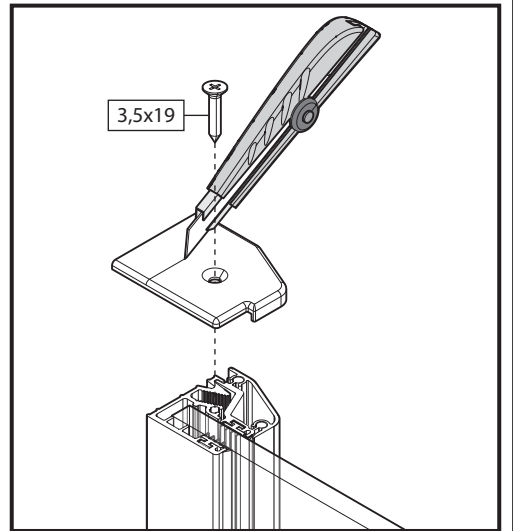
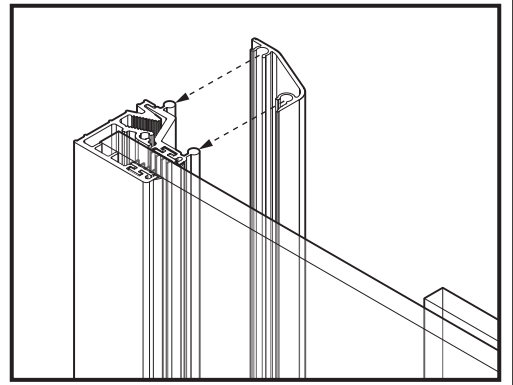
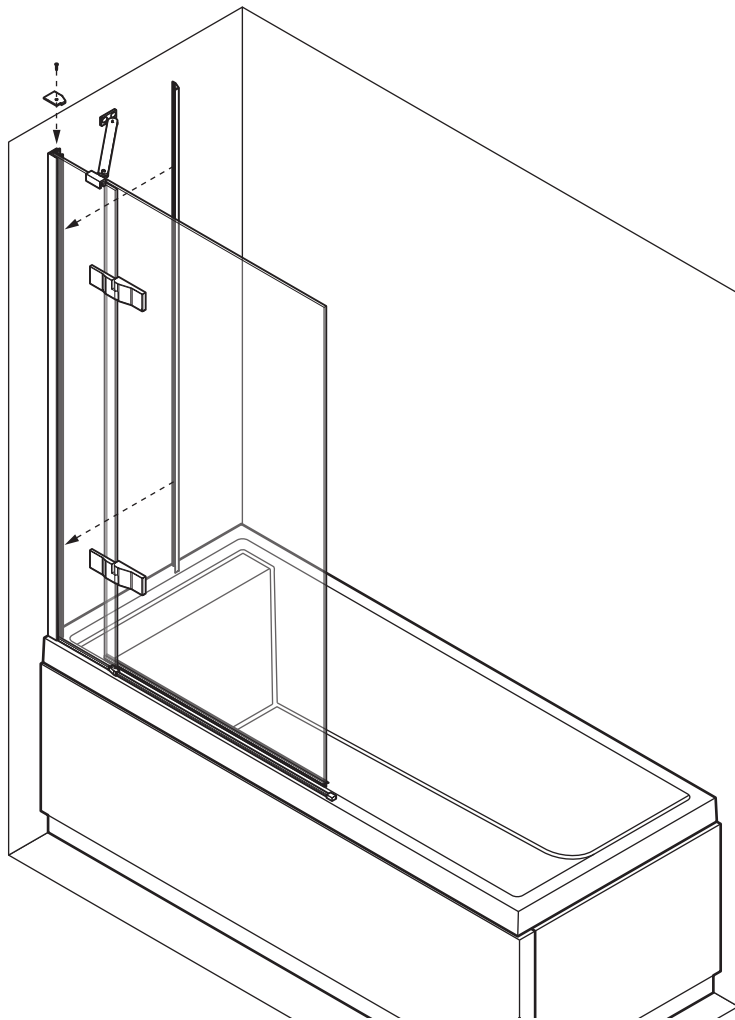
13



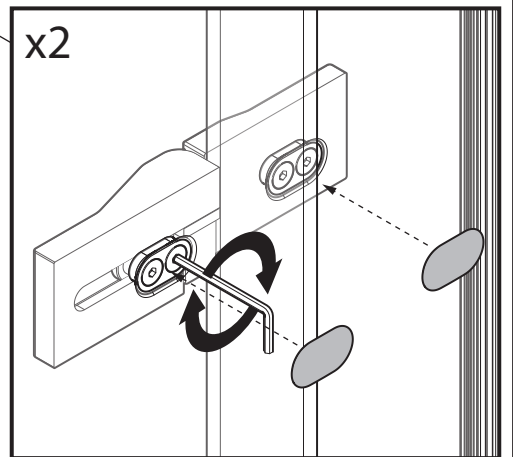
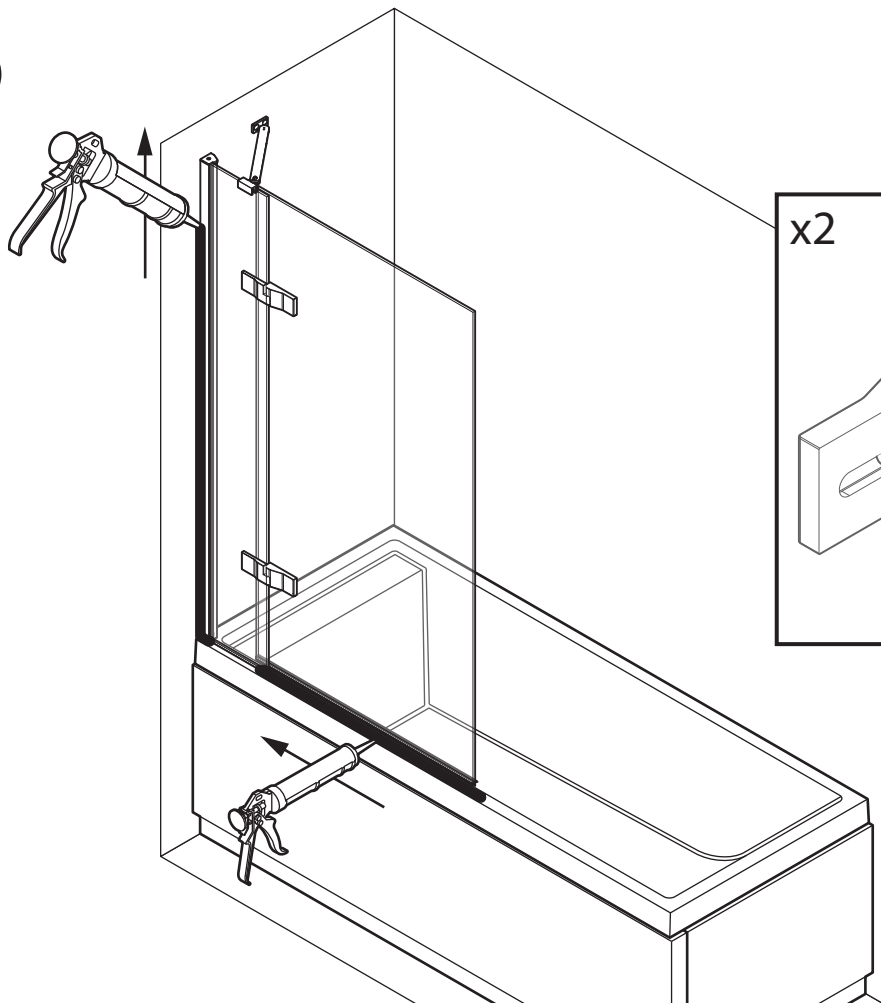
14



15



16



NOVELLINI S.p.A.

Via Mantova, 1023 - 46030 Romanore di Borgo Virgilio (Mn)
Tel. +39 0376 6421 - Fax +39 0376 642250 - e-mail: novellini@novellini.it
www.novellini.com